



Date 20-11-2020

Your reference: P5704ZA00
Our reference: 2018/05473
Email: ckutama@cipc.co.za
Enquiries: Constance Mufeba
Tel no: 012 3945451

Companies and Intellectual
Property Commission
a member of the dti group

ACCEPTANCE OF COMPLETE SPECIFICATION

Dear Sir / Madam **Brian Bacon Inc.**

PATENT APPLICATION NO **2018/05473** ACCEPTED ON **20-11-2020**

In accordance with the provisions of the Patents Act, 1978, I hereby give you notice of the acceptance of the complete specification of your application for a patent.

The accompanying notice on Form P8 must be advertised in the patent Journal within three months of the date of this notice. The notice must be submitted for advertisement to CIPC in one of the following manners:

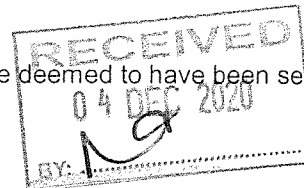
- Electronic Format - document on CD ROM/ DVD (text in MSWord format – not PDF): submit at the Lodgement Counter at CIPC Office. Specify clearly that the documents are submitted for publication in the E- Patent Journal.
- Email to: patentjournal@cipc.co.za (Note that the text part of the attachment should be in MSWord format – not PDF)
- Fax to: 086 750 3295
- Only in exceptional cases, where customers do not have access to electronic facilities at their disposal, documents may be submitted in paper form at the Lodgement Counter at CIPC Office.

All enquiries should be directed to: Mr Bernard Ngoepe at Tel: (012) 394 5066 or Ms Bontle Phoko at Tel: (012) 394 5053 or email to: Patentjournal@cipc.co.za

On publication of the acceptance in the Patent Journal the patent shall be deemed to have been sealed and granted on the date of publication.

Yours faithfully

Registrar of Patents



Physical Address

the dti Campus | Block F
77 Meintjies Street | Sunnyside 0001

Postal Address

Intellectual Property
Private Bag x400
Pretoria 0001

Customer Contact Centre

National: 086 100 2472 (CIPC)
International: (+27) 83 900 2427

REPUBLIC OF SOUTH AFRICA
 PATENTS ACT, 1978
PUBLICATION PARTICULARS AND ABSTRACT
 [Section 32(3)(a) – Regulation 2291)(g) AND 31]

OFFICIAL APPLICATION NO.		LOGGING DATE	ACCEPTANCE DATE
21	01 2018/05473	22 2018/08/16	47 20-11-2027

INTERNATIONAL CLASSIFICATION	NOT FOR PUBLICATION
51 A47J	CLASSIFIED BY: Brian Bacon Inc

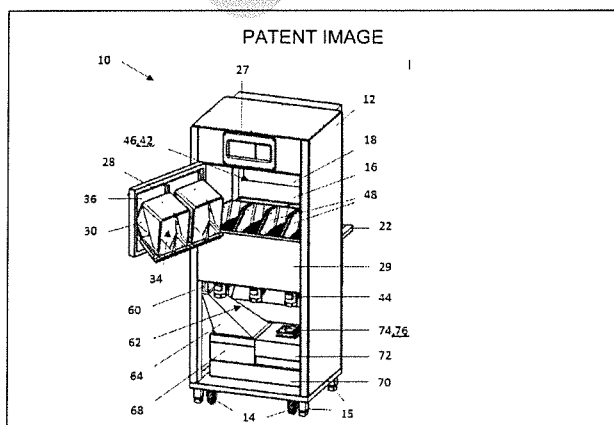
FULL NAME(S) OF APPLICANT(S)	
71	KOMBO KING (PTY) LTD De Waterkant Centre 3rd Floor 9 Somerset Road Green Point, Cape Town, 8005, South Africa

FULL NAME(S) OF INVENTORS(S)	
72	<ol style="list-style-type: none"> 1. COMBI, Zitulele Luke 2. JACOBSON, Ari Hugh 3. FRANKEL, Mark 4. SITHOLE, Farai 5. BECKER, Pierre Van Wyk 6. MALHERBE, Johannes Louw 7. DU PLESSIS, André Jacques 8. BOTHA, Christo John 9. BASSON, Dewald 10. LAUBSCHER, Daniel Francois Malan 11. NORTON, Grant Anthony 12. KHAN, Muhammed Uwaiz 13. PATEL, Taariq Muhammed

EARLIEST PRIORITY CLAIMED		
COUNTRY	NUMBER	DATE
33	31	32

TITLE OF INVENTION	
54	FRYING APPARATUS AND METHOD OF FRYING FOOD

57	A method and fryer (10) are disclosed, for food preparation. The food is pre-cooked and then stored at refrigeration or freezing temperature and discreet portions of the food are loaded into the fryer (10) on demand, via chutes (30) at the back of the fryer (10). The food is then fried in oil for a short period and is lifted from the oil (28) automatically by pivoting a basket (48) to drain oil from the food and to dispense the food to a dispensing area (23) at the front of the fryer (10).
----	--



page 32